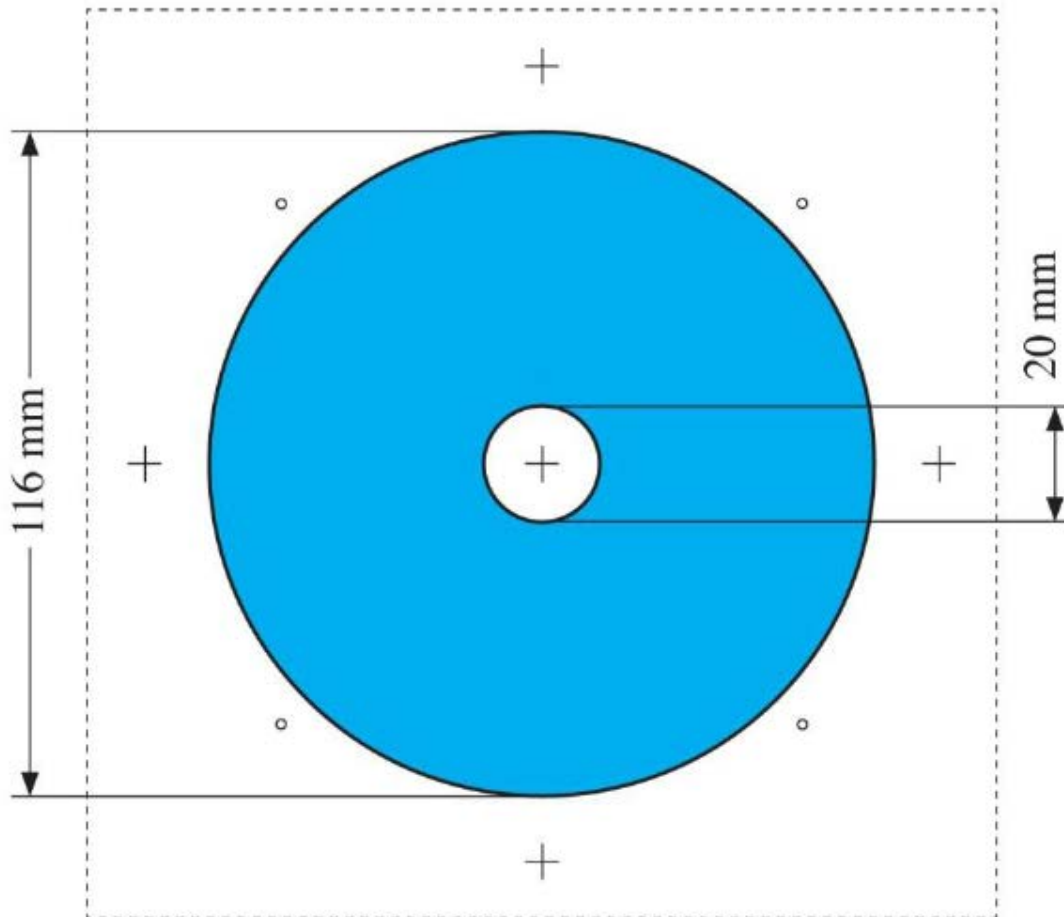


Print Area Specification				
Europe	DVD/BD	EDS005	Issue 4	Jan 2010

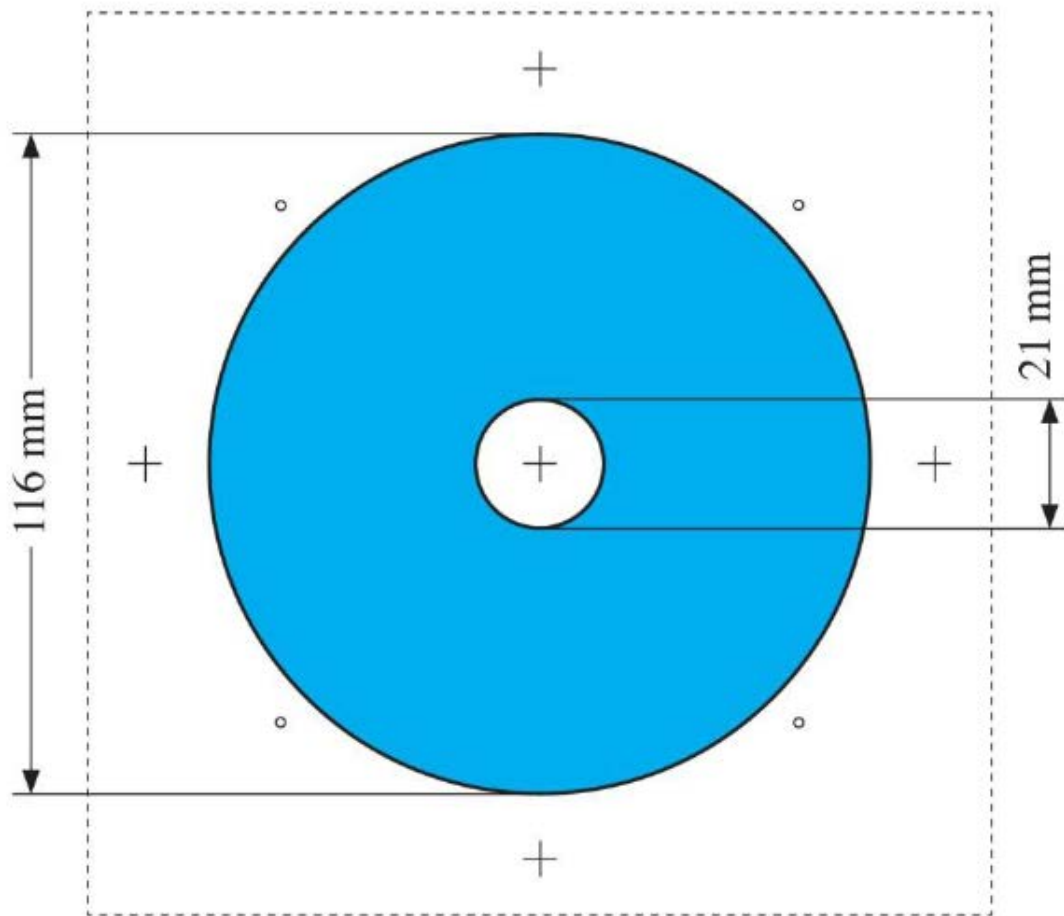
DVD Print Area Specification - DVD5 and DVD9



**General notes:**

See also 'Requirements for DVD On-Body Label Print' - EDS003  
 The shaded area is the maximum allowable print area.

BD Print Area Specification - BD25 and BD50



**General notes:**

See also 'Requirements for DVD On-Body Label Print' - EDS003  
The shaded area is the maximum allowable print area.



### 1- or 2-colour decorations without a white blackout

Please take into consideration, that metallization in matrix area ( $\varnothing$  45mm) has different shade. All decoration elements placed in this area will have a different background.



Examples:



correct



not correct



correct



not correct