

DVD – O-RING (SINGLE CASE)

TCAU Specification

TSA 200

Issue: 3

July 2010

Page 1 of 2

CONTENTS

Page 1 General specification details

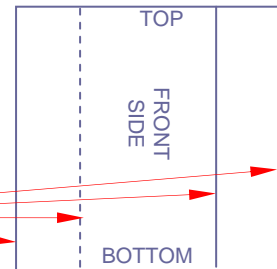
Page 2 O-RING open both ends for use with a standard 15.00 mm spine thickness DVD case

GENERAL

- Material:** 500 micron thickness WBFBB Card
- Material Thickness:** Calliper tolerance + / - 3%
- Material Weights:** Grammage tolerance + / - 3%
- Direction of Grain:** Parallel with *WIDTH* for O-RINGS
- Dimensions:** All to be within +1.00 mm across the batch
- Wrapping:** DVD cases can be over wrapped before OR after insertion into the o-ring as an integrated process
- Incoming Delivery:** Product to be received folded flat (not erected)
- Fold / Crease Lines:** Measurement between folds to be parallel to + / - 0.50 mm
The crease lines as shown on drawing below must be ***pre-broken** during manufacturing

DRAFT - PLEASE CONFIRM PRIOR TO ORDERING

Crease
lines need to be
*pre-broken



*These specifications are for use with
Technicolor approved DVD cases only.
O-rings within the above specifications can be auto-packed.
Printed material supplied which does not conform to the relevant
specifications will require manual insertion at an additional charge or
be considered unworkable*

Note: Drawings Not To Scale



DVD – O-RING (SINGLE CASE)

TCAU Specification

TSA 200

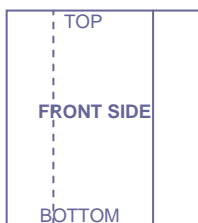
Issue: 3

July 2010

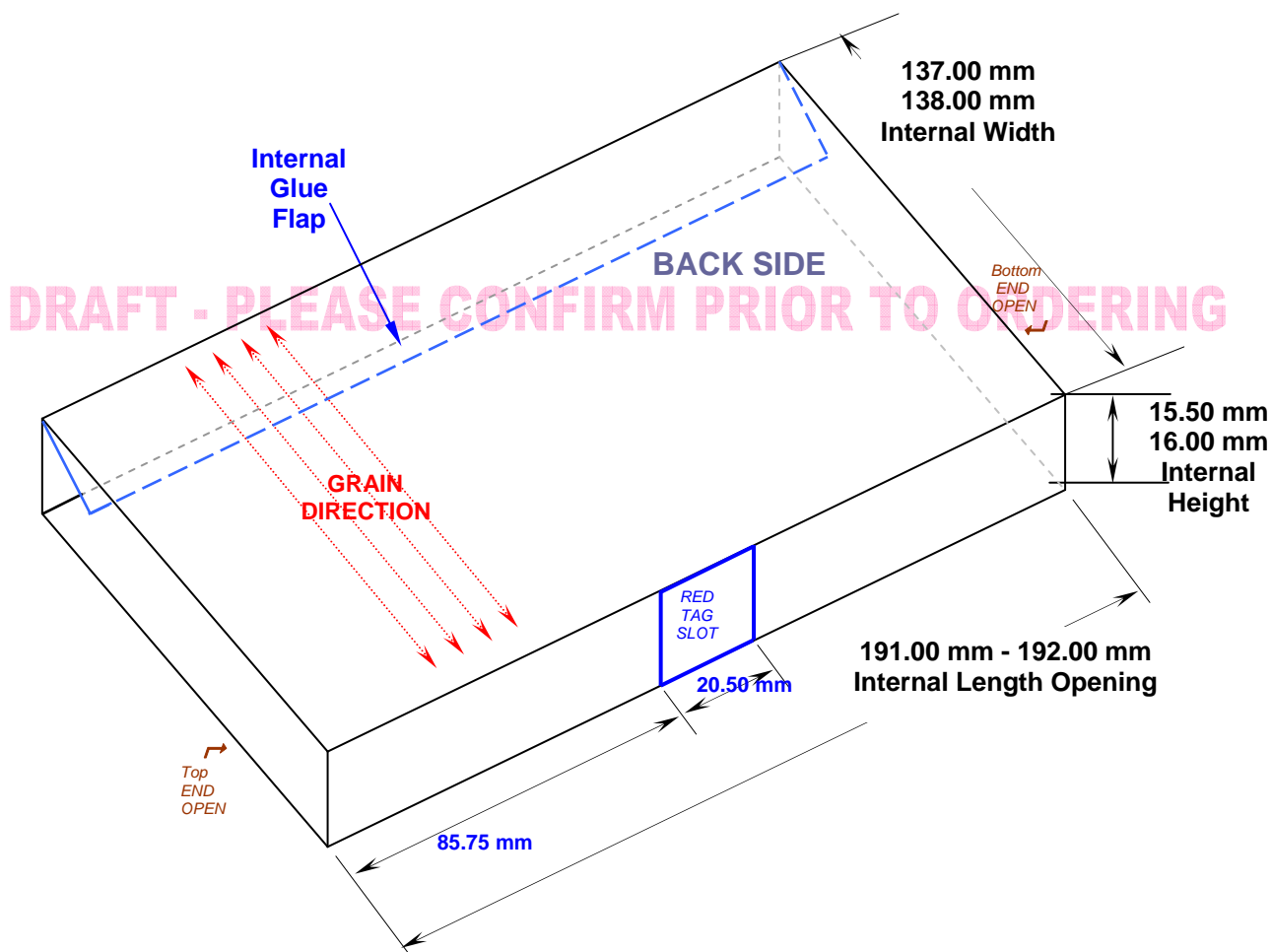
Page 2 of 2

O-RING

Style: O-RING open both ends for use with one standard 15.00mm spine thickness DVD case



*All dimensions are
INTERNAL for the formed unit*
* **RED TAG** slot can be added as an option



Note: Drawings Not To Scale

