

ACCESS CABLE GATEWAY

CGA4236

Dual-Band Wi-Fi6

Smart Ultra-Broadband Cable Gateway with Voice for above Gigabit Speeds



CGA4236 Networked ports

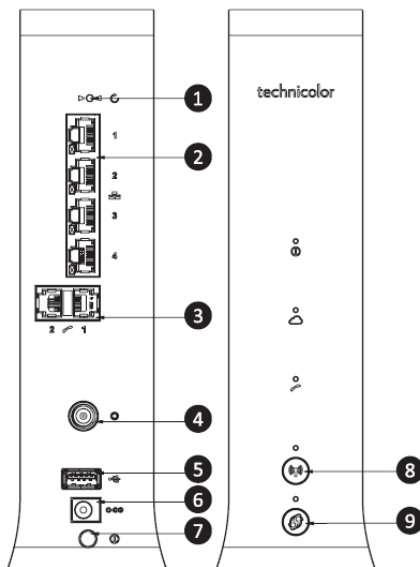
Networked Port is a network interface providing a permanent connectivity and having the capability on trigger reception to wake up the equipment from a specific low power mode called Networked Standby Mode.

The CGA4236 networked ports are Ethernet port, tel port, Wi-Fi 2.4GHz and Wi-Fi 5GHz ports.

Wireless interface activation/deactivation

Connections

1	Reset button	
2	Ethernet	RJ-45 / IEEE802.3ab
3	Telephone	RJ-11
4	Cable RF input	F type (IEC61169-24)
5	USB	USB 2.0 (type A)
6	DC power jack	2 pins female jack plug
7	Power button	
8	Wi-Fi enabling button	
9	Wi-Fi Protected Setup button	



Features at a glance

- DOCSIS® 3.1 compliant
- Backward compatible with DOCSIS®/EuroDOCSIS® 3.0
- 2 x 2 OFDM(A) bonded channels in DOCSIS 3.1 mode
- 32 x 8 bonded channels in DOCSIS/EuroDOCSIS 3.0 mode
- Automatic switchable diplexer for up- and downstream
- Up to 1.2 GHz full band capture tuner
- Built in RF spectrum analyzer
- 4 GE LAN ports
(1 2.5 Gigabit Ethernet and 3 GE LAN ports optional)
- Dual-band concurrent Wi-Fi (with high power optional)
2.4 GHz (3x3) Wi-Fi 6 (IEEE 802.11ax)
5 GHz (4x4) Wi-Fi 6 (IEEE 802.11ax)
- Enabled to support Wireless XL™ (sold separately)
- Hotspot GRE, Passpoint™
- 2 FXS ports for phone or fax
- Voice (Euro)PacketCable™ 2.0 & 1.5 and SIP compliant
- 1 superspeed USB 3.1 Gen 1 master port
- MoCA 2.0 (optional)
- Future-proof Added Value Services platform supporting Technicolor RDK-B (Reference Design Kit - for Broadband)
- SNMP and TR-069 remote management
- Dual stack IPv4 and IPv6 DS-Lite enabled

Power consumption and time to switch in networked standby

The table below provides CGA4236 power consumption in various mode and the time needed by the equipment to switch from On Mode to a specific Networked Standby Mode.

Mode Description	Target	Power Consumption	Time to Switch in Networked Standby
Off-mode	0.5W	0.07W	N/A
Networked standby mode with all wired networked ports connected and all wireless networked activated	No target	18.10W	<20 min
Networked standby mode when one Ethernet port connected, tel port disconnected, Wi-Fi deactivated	8W	7.16W	<20 min
Networked standby mode when Tel port connected, Ethernet port disconnected, Wi-Fi activated	8W	6.56W	<20 min
Networked standby mode when Wi-Fi 2.4 G activated, 5G deactivated and Ethernet port disconnected, Tel port disconnected	8W	7.62W	<20 min
Networked standby mode when Wi-Fi 5G activated, 2.4 G deactivated and Ethernet port disconnected, Tel port disconnected	8W	7.53W	<20 min

Copyright 2019 Technicolor. All rights reserved. Photos and specifications are subject to change without notice. All trade names referenced are service marks, trademarks, or registered trademarks of their respective companies.