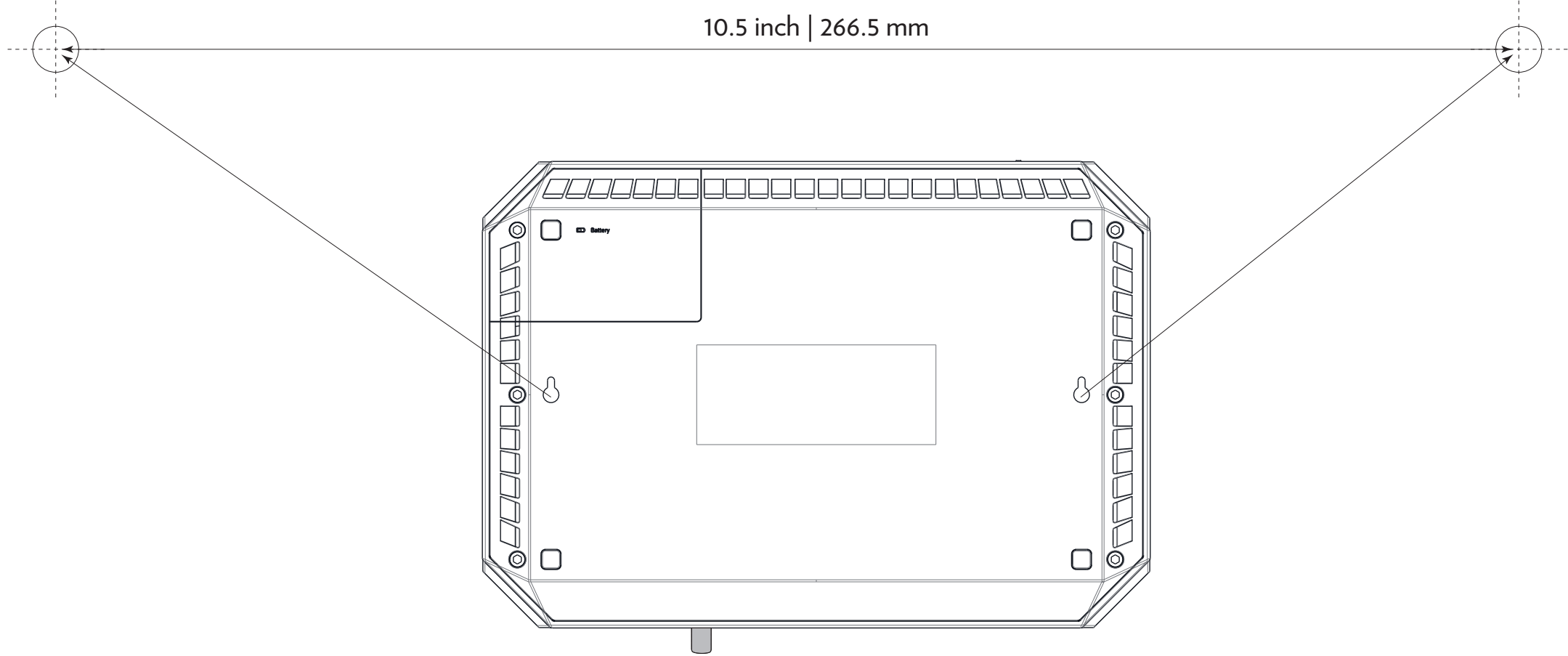


WALL MOUNT INSTALLATION

CGA4131COM

Template



Instructions

- 1 Take the screws and wall plugs out of your box.
- 2 Place the template on the wall in the position the CGA4131COM will be mounted.
It is recommended that the connectors on the back panel of the CGA4131COM are facing down.
- 3 Mark the mounting holes. The distance between the drilled holes must be exactly 266.5 mm (10.5 inches) as indicated on the template.
- 4 Drill the marked holes with a 6 mm (1/4 inches) diameter drill bit.
- 5 Insert the wall plugs in the drilled holes.
- 6 Insert the screws in the wall plugs and leave the screw extended about 5 mm (0.2 inches) from the wall.
- 7 Hang the CGA4131COM on the screws.